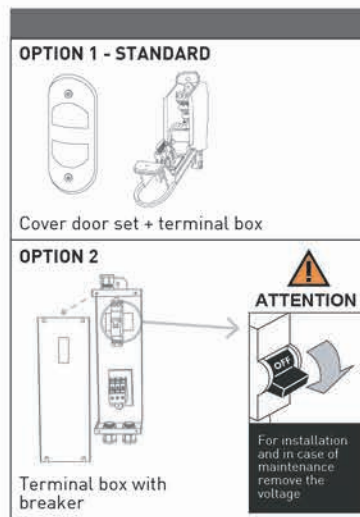
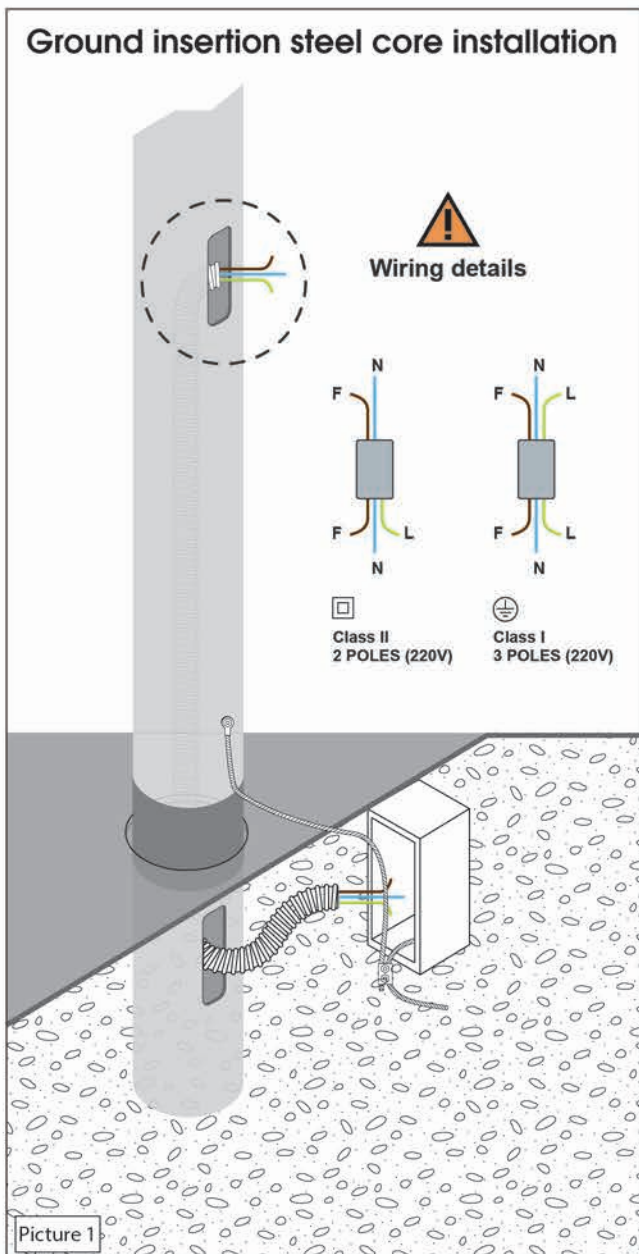


## Ground insertion pole installation

### INSTALLATION

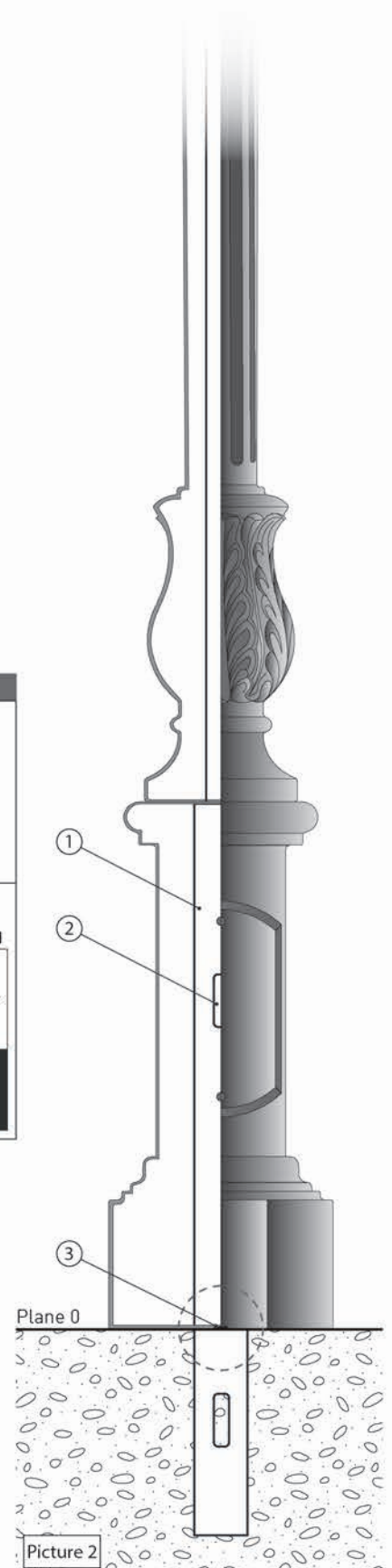
- 1- Cement the steel core (1) into the ground at the plane 0, please see (3);
- 2- proceed with wiring (as specified in the "wiring detail sheet");
- 3- cement perpendicularly;
- 4- insert the cast iron components from top to bottom as shown on page 2;
- 5- bolt and tighten so that the cast iron components are secured in their positions; place stainless steel grains where necessary.



### DETAILS

- 1- Steel core (see details for the specific product);
- 2- Hole for cover door set and terminal block
- 3- Plane 0.

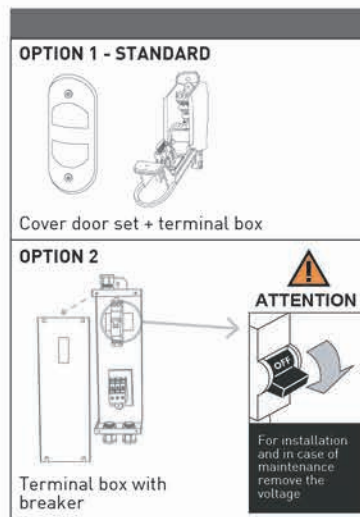
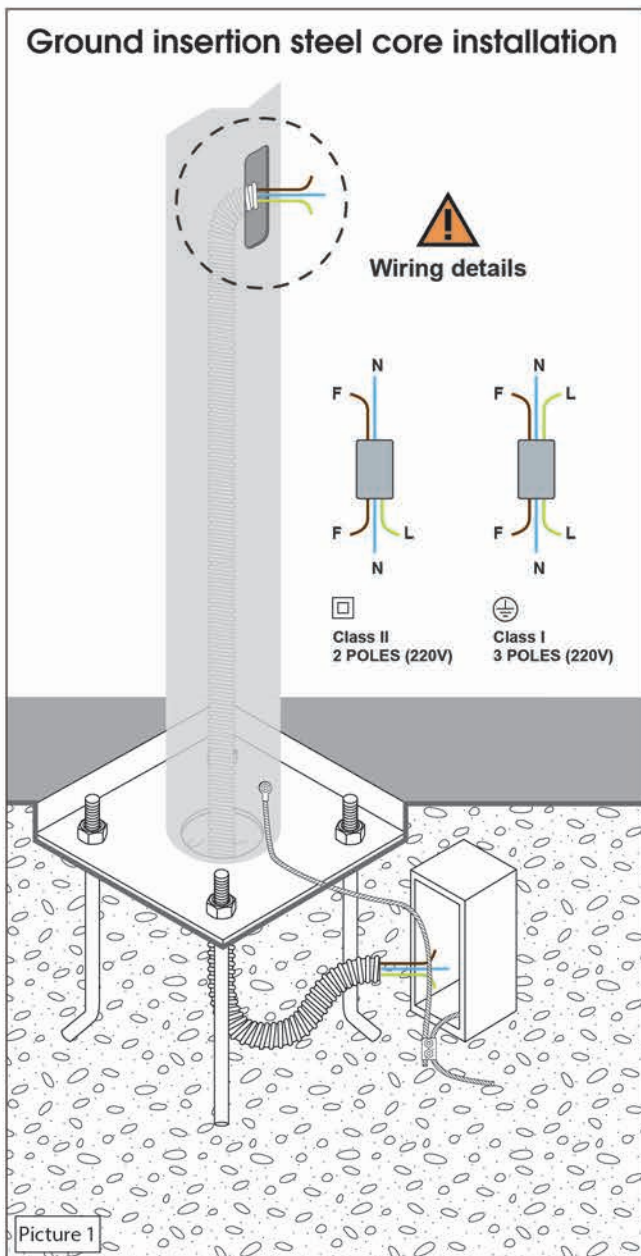
PLEASE NOTE - Refer to the technical data sheets provided for the measurement details of your product.



## Steel plate and bolts pole installation

### INSTALLATION

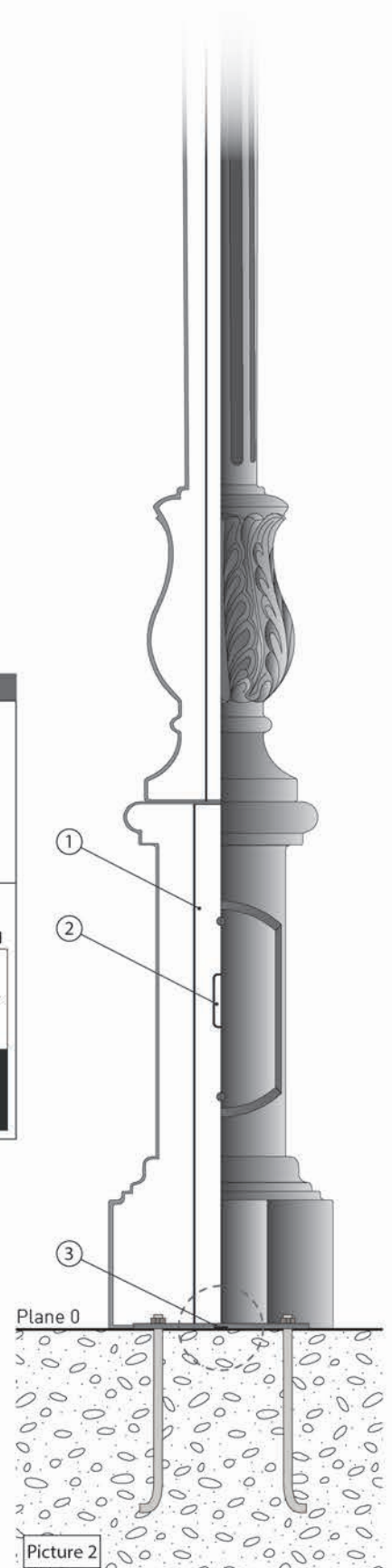
- 1- Cement the bolts at the plane 0, respecting the flange intervals;
- 2- proceed with wiring (as specified in the "wiring detail sheet");
- 3- insert the steel core by matching the bolts to the flange holes and screw;
- 4- insert the cast iron components from top to bottom as shown on page 2;
- 5- bolt and tighten so that the cast iron components are secured in their positions; place stainless steel grains where necessary.



### DETAILS

- 1- Steel core (see details for the specific product);
- 2- Hole for cover door set and terminal block
- 3- Plane 0.

PLEASE NOTE - Refer to the technical data sheets provided for the measurement details of your product.



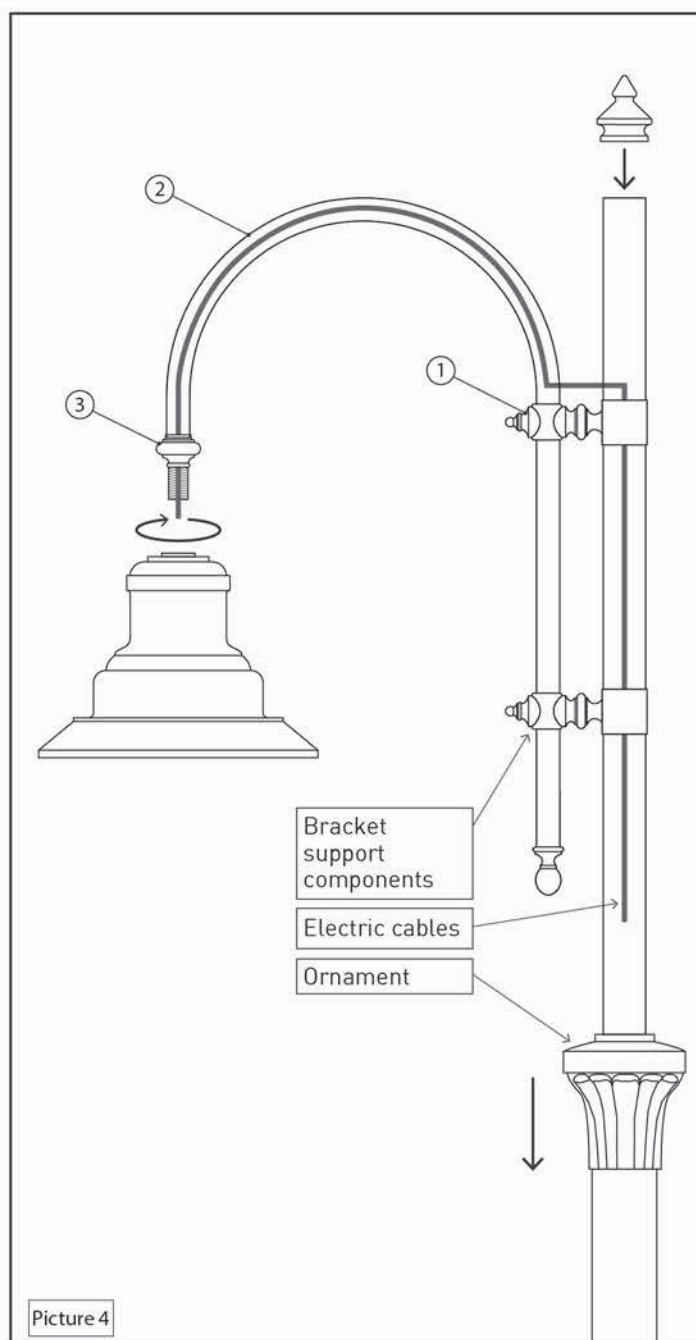
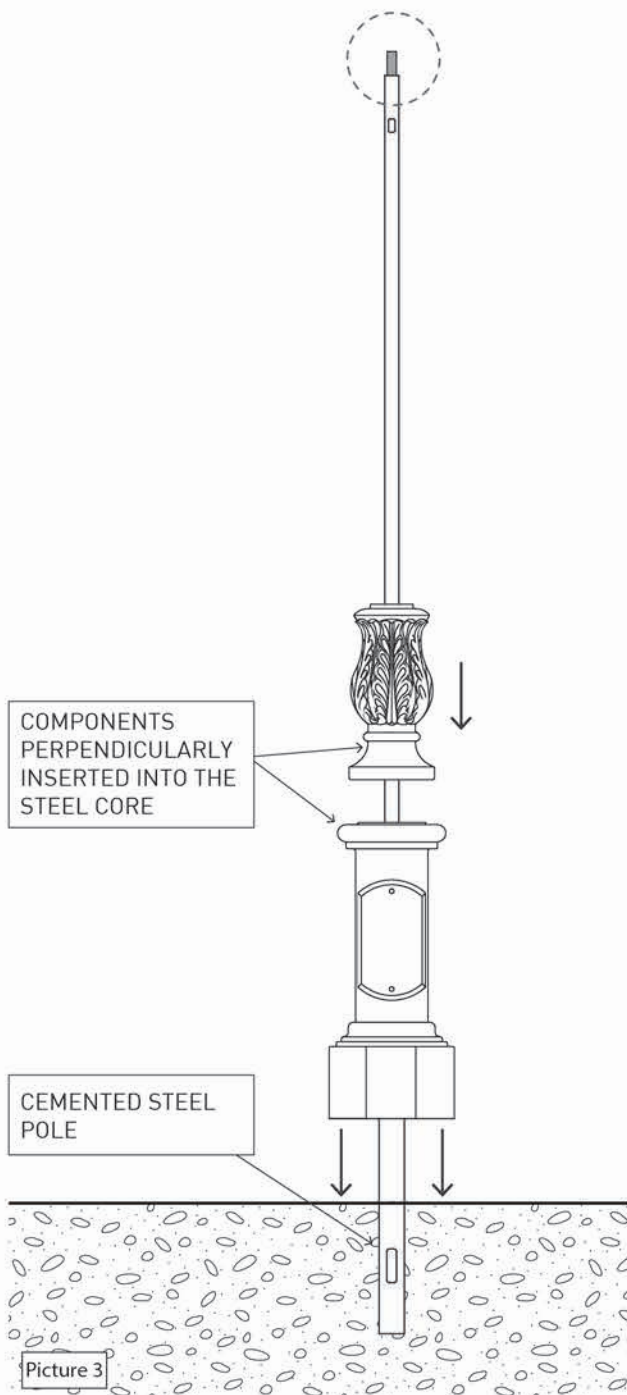


## Inserting and fastening components

Insert the components one by one, from top to bottom, into the steel core as shown in picture 3.

Insert the last element by screwing the bolts supplied to make the component and the remaining tube, to which the bracket is fixed, stable.

Follow these instructions for bracket mounting (picture 4).



- 1- Insert the bracket support components (1) and screw bolts;
- 2- insert the bracket (2) into the support components;
- 3- insert the ornamental element on the end of the bracket (3) if provided and secure;
- 4- proceed to electrical wiring as shown;
- 5- fasten the lighting fixture to the threaded bar at the end of the bracket;
- 6- proceed to electrical wiring of the lighting fixture;
- 7- insert the pole top and secure.