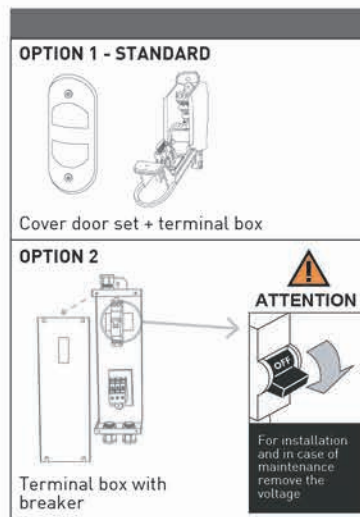
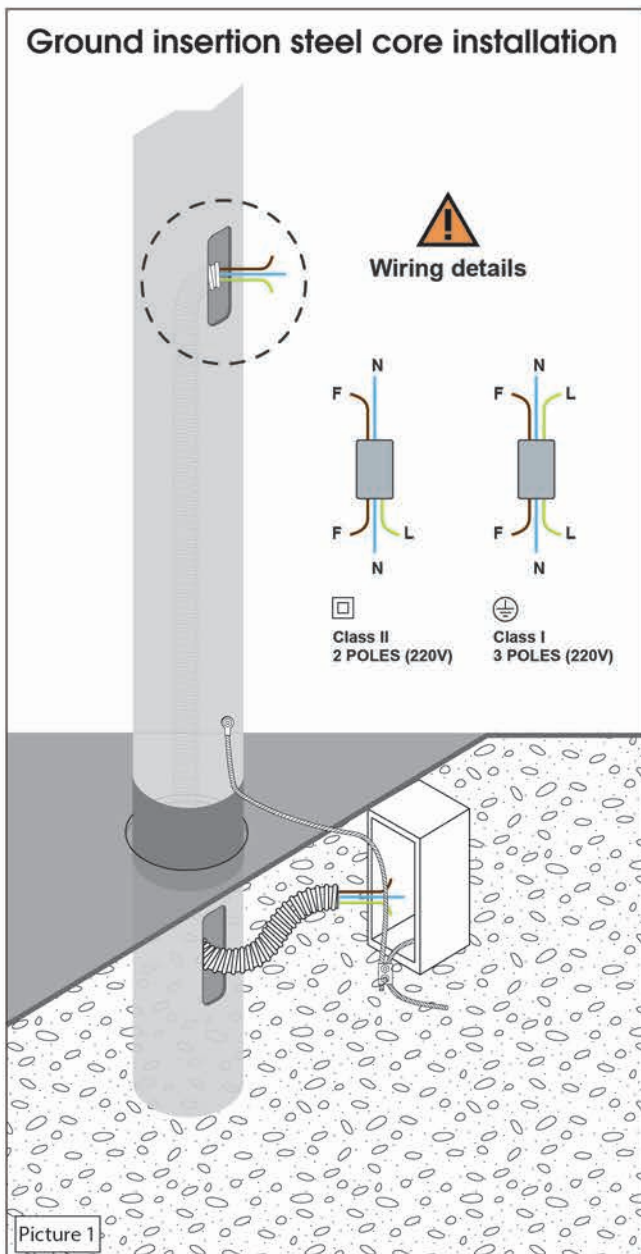


Ground insertion pole installation

INSTALLATION

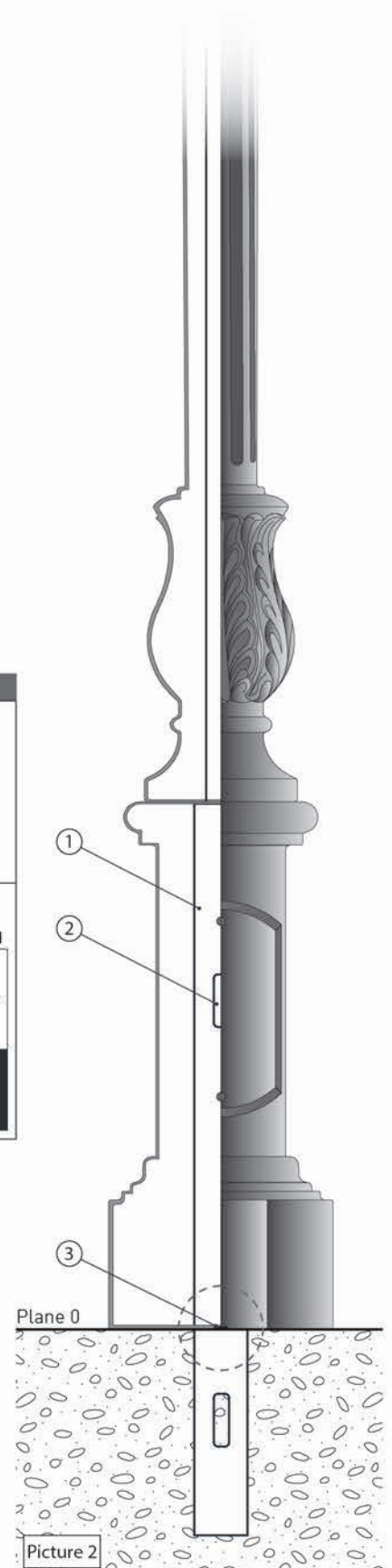
- 1- Cement the steel core (1) into the ground at the plane 0, please see (3);
- 2- proceed with wiring (as specified in the "wiring detail sheet");
- 3- cement perpendicularly;
- 4- insert the cast iron components from top to bottom as shown on page 2;
- 5- bolt and tighten so that the cast iron components are secured in their positions; place stainless steel grains where necessary.



DETAILS

- 1- Steel core (see details for the specific product);
- 2- Hole for cover door set and terminal block
- 3- Plane 0.

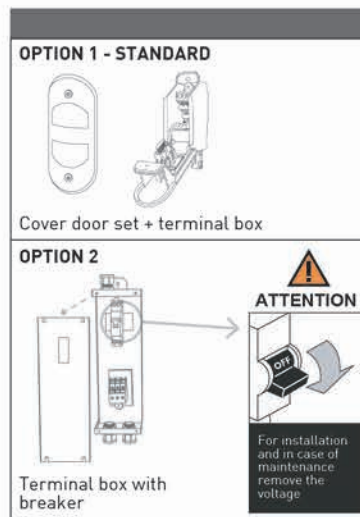
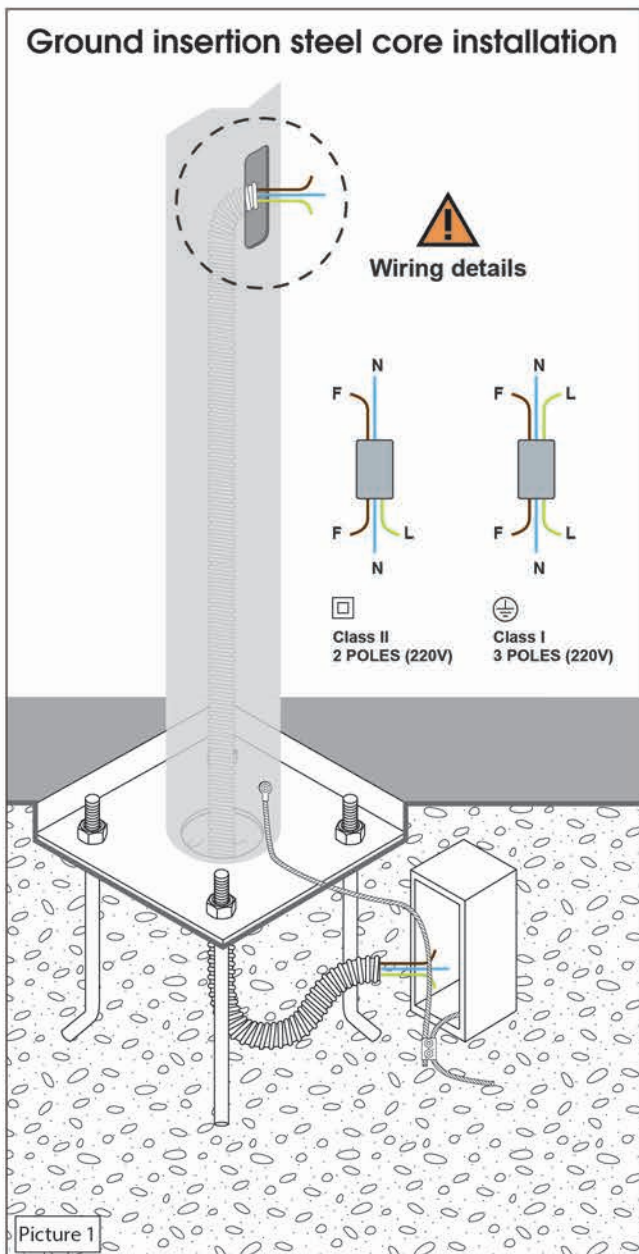
PLEASE NOTE - Refer to the technical data sheets provided for the measurement details of your product.



Steel plate and bolts pole installation

INSTALLATION

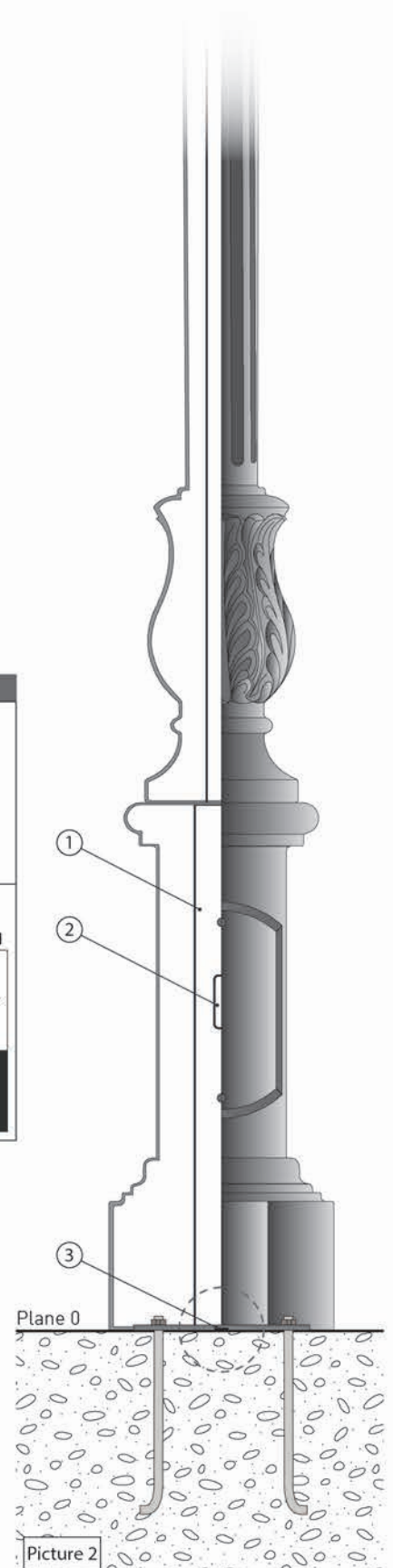
- 1- Cement the bolts at the plane 0, respecting the flange intervals;
- 2- proceed with wiring (as specified in the "wiring detail sheet");
- 3- insert the steel core by matching the bolts to the flange holes and screw;
- 4- insert the cast iron components from top to bottom as shown on page 2;
- 5- bolt and tighten so that the cast iron components are secured in their positions; place stainless steel grains where necessary.



DETAILS

- 1- Steel core (see details for the specific product);
- 2- Hole for cover door set and terminal block
- 3- Plane 0.

PLEASE NOTE - Refer to the technical data sheets provided for the measurement details of your product.



Inserting and fastening components

Insert the components one by one, from top to bottom, into the steel core as shown in picture 3.

Screw the supplied bolt to the top of the steel core so that the components are secured in position (picture 4).

The remaining threaded bar will be used for fitting the lighting fixture (picture 5).

